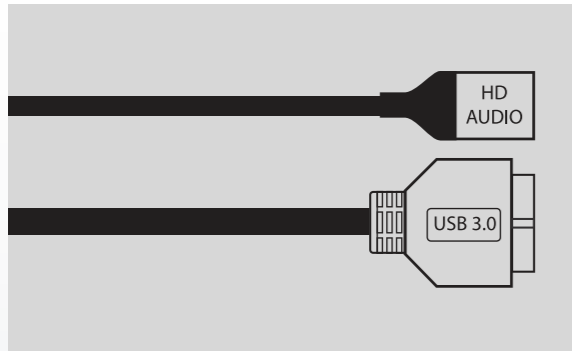


CABLE CONNECTION

STEP 8. MOTHERBOARD CONNECTIONS

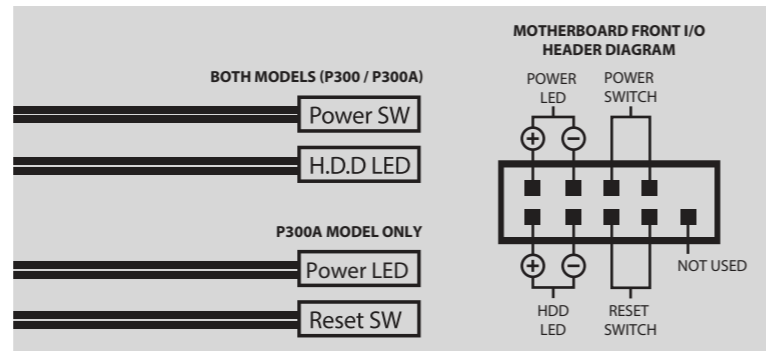
HD AUDIO & USB 3.0 CABLES

a. CONNECT THE CABLES TO THE MOTHERBOARD



FRONT I/O HEADER CONNECTIONS

b. CONNECT THE CABLES TO THE FRONT I/O HEADER ON THE MOTHERBOARD (SEE FRONT I/O HEADER DIAGRAM FOR GENERAL REFERENCE)



⚠ Diagram is a general overview. For a more accurate overview of your motherboard, please consult that motherboard's manual.

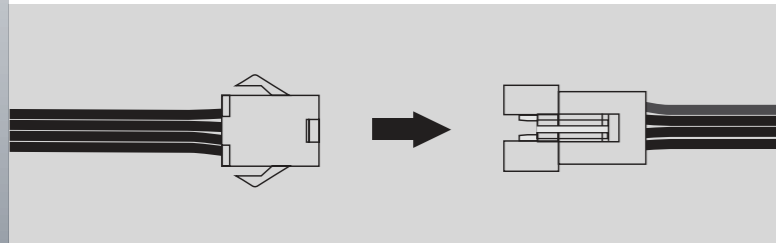
STEP 9. RGB LIGHTING - P300 ONLY (P300A DOESN'T COME WITH RGB CONTROL)

a. CONNECT THE SATA CABLE TO THE POWER SUPPLY



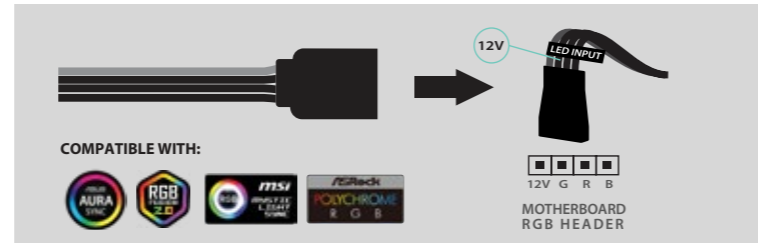
CONNECT MORE RGB PRODUCTS

b. CONNECT RGB CONNECTOR TO RGB PRODUCTS



SYNC YOUR CASE LIGHTING TO THE MOTHERBOARD

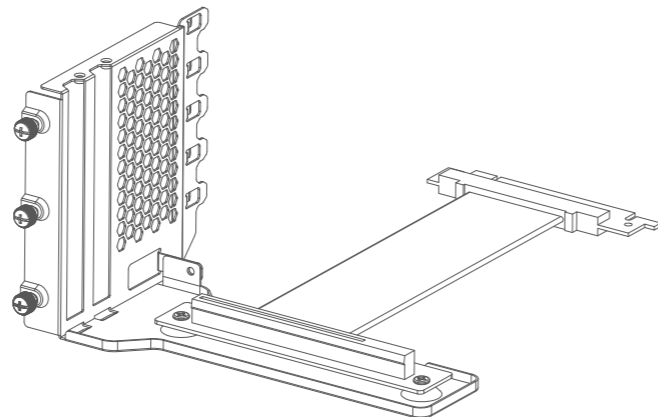
c. CONNECT MOTHERBOARD RGB ADAPTER* TO THE MOTHERBOARD *SOLD SEPERATELY (PH-CB_RGB4P)



OPTIONAL UPGRADES

VERTICAL GPU BRACKET (PH-VGPUKT-02)

THE PHANTEKS VERTICAL GPU BRACKET CAN BE EASILY INSTALLED IN THE REAR PCI-SLOT AREA WITHOUT MODIFICATIONS. FOLLOW THE INSTRUCTIONS THAT COME WITH THE VERTICAL GPU BRACKET.



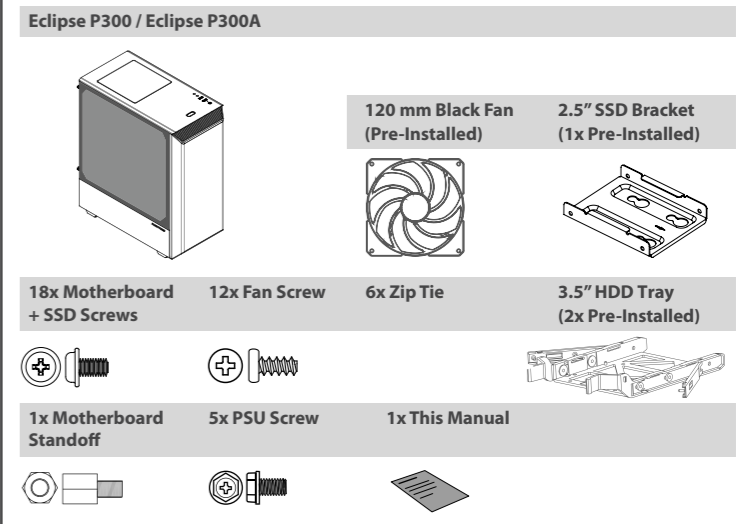
INTRODUCTION

Thank you for choosing Phanteks. Please take a moment to carefully go through the manual. Phanteks will not take responsibility for any damages incurred due to incorrect installation or usage of this product.

This manual is applicable for the following products:

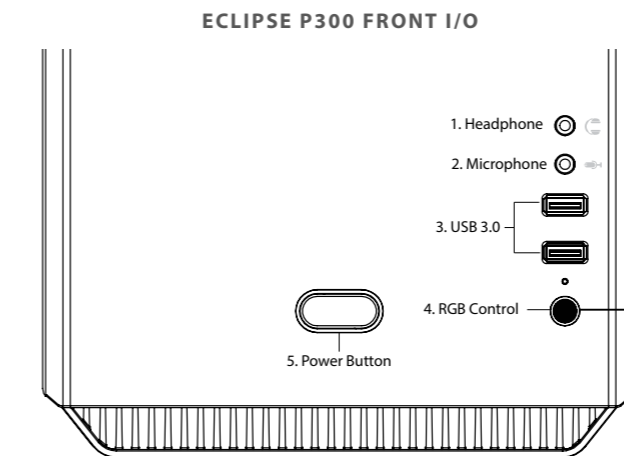
PH-EC300PTG
PH-EC300ATG

INCLUDED ACCESSORIES



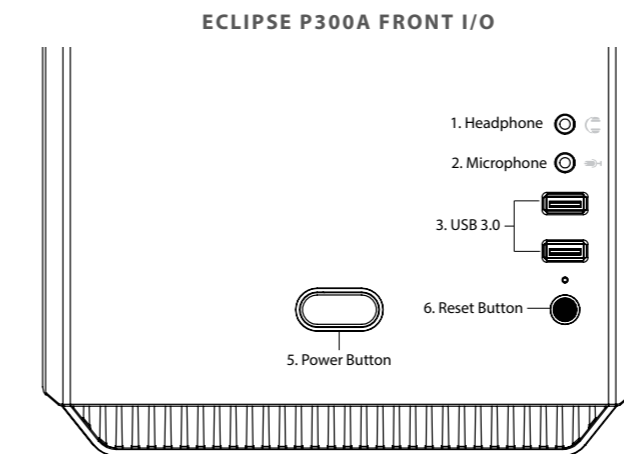
PRODUCT OVERVIEW

CLEARANCE CPU Cooler Height: 165 mm PSU Clearance: 200 mm GPU Clearance: 355 mm Front radiator 240: 122x315 mm Front radiator 280: 142x315 mm	REAR 120 FAN 120 RAD	FRONT 120 FAN 120 RAD 140 FAN 140 RAD	TOP 120 FAN 140 FAN
---	-----------------------------------	--	----------------------------------



RGB CONTROLS (P300 MODEL)

- Short Press to change color: [Color palette]
- Long Press to change mode:
 - Solid
 - Breathing
 - Color Cycle
- Press and Hold to turn off or switch to motherboard control.



FRONT I/O FEATURES

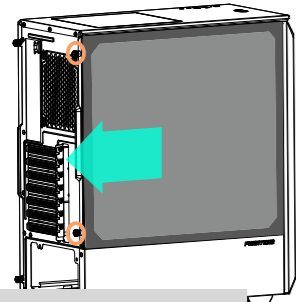
English	Francais
1. Headphone	1. Casque
2. Microphone	2. Microphone
3. USB 3.0	3. USB 3.0
4. RGB Control	4. RGB Contrôle
5. Power Button	5. Bouton d'alimentation
6. Reset Button	6. Bouton de réinitialisation
Deutsch	Espanol
1. Kopfhörer	1. Auricular
2. Mikrofon	2. Micrófono
3. USB 3.0	3. USB 3.0
4. RGB Steuerung	4. RGB Controlar
5. Ein-/Aus Schalter	5. Botón de encendido
6. Reset-Knopf	6. Botón de reinicio

PANEL REMOVAL

There are three panels that can be removed from the P300(A) Chassis; the left side tempered glass panel, the right side panel and the front panel. Follow these steps below.

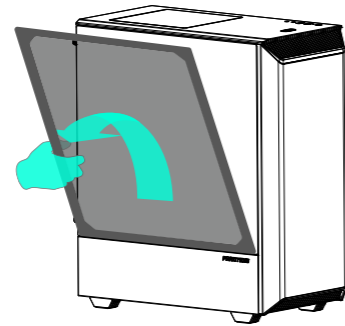
STEP 1. LEFT SIDE PANEL

a. LOOSEN THUMB SCREWS AND SLIDE TO THE LEFT.

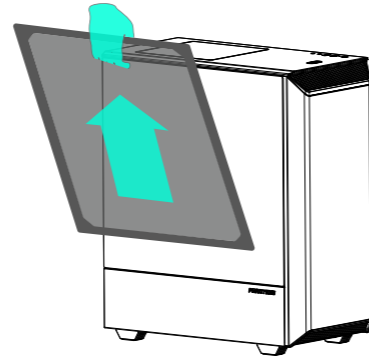


LOOSEN:
2x

b. TILT PANEL FORWARD.

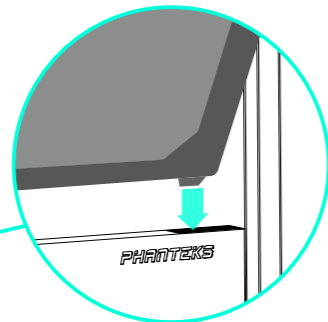
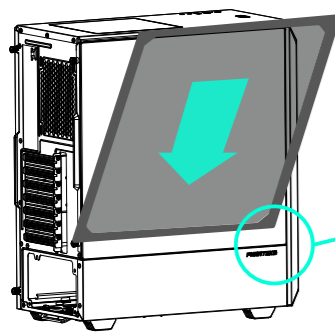


c. PULL UPWARD TO REMOVE.



PANEL RE-INSTALLATION

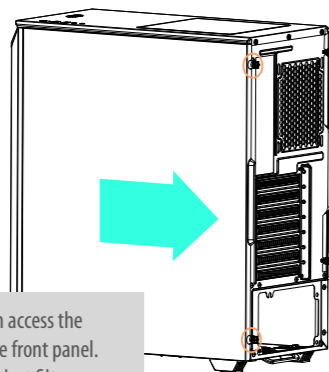
FOLLOW STEPS IN REVERSE ORDER.



STEP 2. RIGHT SIDE PANEL

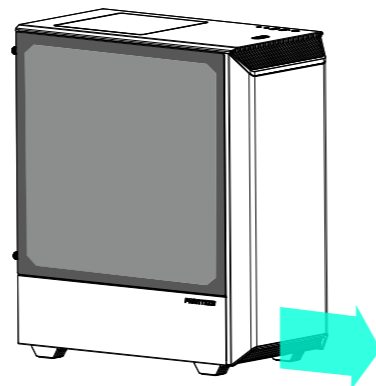
LOOSEN THUMB SCREWS AND SLIDE THE SIDE PANEL OFF.

LOOSEN:
2x



STEP 3. FRONT PANEL

REMOVE FRONT PANEL BY PULLING ON IT FROM BELOW

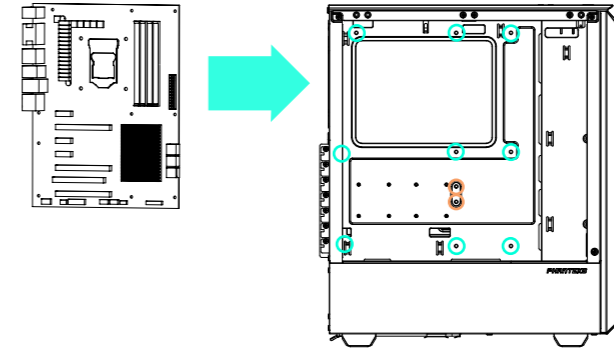


HARDWARE INSTALLATION

STEP 4. MOTHERBOARD

INSTALL THE ATX MOTHERBOARD WITH 9 MOTHERBOARD SCREWS

INSTALL:
9x



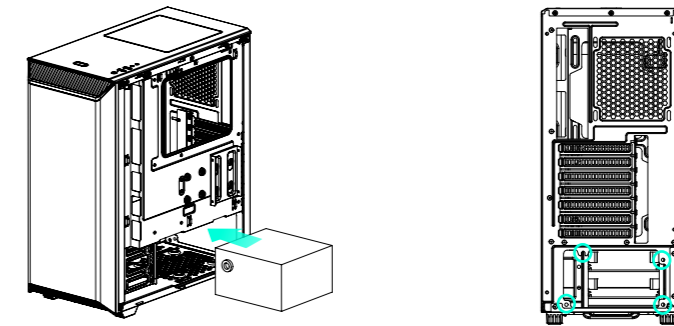
Micro - ATX

If installing a Micro-ATX motherboard, install the extra standoff supplied and consult your motherboard manual for further instructions.

STEP 5. POWER SUPPLY

INSERT THE POWER SUPPLY INTO THE CHASSIS AND THEN SECURE THE POWER SUPPLY WITH 4 PSU SCREWS

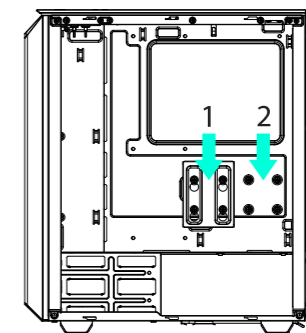
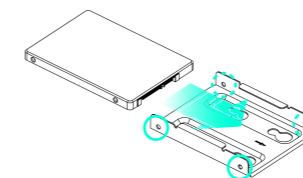
INSTALL:
4x



STEP 6. 2.5" SSD

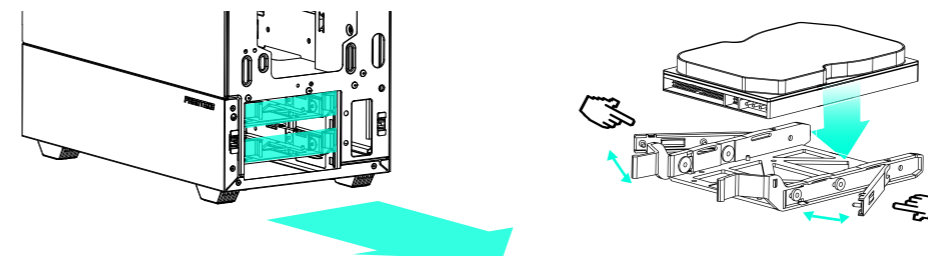
INSTALL THE SSD DRIVE WITH 4 SSD SCREWS AND MOUNT INTO THE CHASSIS. A SECOND OPTIONAL SSD BRACKET CAN BE INSTALLED. 2.5" SSD DRIVES CAN ALSO BE INSTALLED INTO THE 3.5" DRIVE BAYS.

INSTALL:
4x



STEP 7. 3.5" HDD

REMOVE THE HDD TRAY BY PULLING OUTWARD. INSTALL THE HDD DRIVE IN THE TOOLLES HDD TRAY AND SLIDE THE MOUNTED HDD TRAY BACK INTO THE CHASSIS.



The HDD Tray can also hold a 2.5" SSD

With the P300 model you can access the dust filters after removing the front panel. We recommend to clean the dust filters every month for optimal performance.